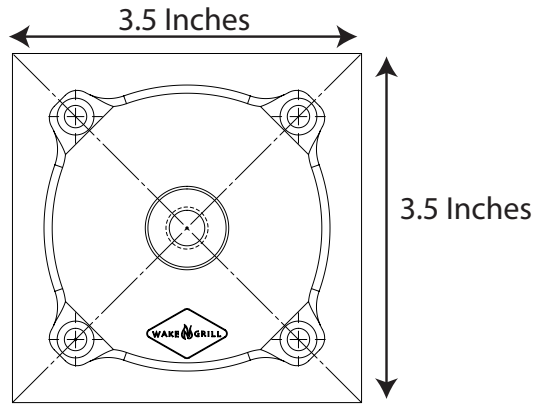




## Wake N Grill Flat Mount Kit

The Wake N Grill Flat Mount Kit is compatible with most solid swim platform brackets.

The Flat Mount kit requires a 3.5 Inch x 3.5 Inch area of flat space on the platform bracket to be properly installed.



### NOTE:

The mount can be installed on either the inboard or outboard position of the Port or Starboard swim platform bracket.

Different configurations are necessary to accommodate variations in OEM installed hardware or user preference.

