



Wake N Grill
134 E. Broadway Rd. #101
Mesa, AZ 85210

(480) 686-3130
wakengrill@gmail.com
wakengrill.com



Universal Clamp Insert Installation Instructions

(WNG-UNI-CLAMP-INSRT)

This Wake N Grill Universal Clamp Insert kit (WNG-UNI-CLAMP-INSRT) is designed to adapt the standard Universal clamp (WNG-UNI-CLAMP), to accommodate the following swim platform sizes: 1.135", 1.25", 1.5"

Please read these instructions carefully. If, at any time, you have a question about the installation or setup, please review the "How To" section at www.wakengrill.com/how-to/. If you like talking to a real person, we are here to help. Just give us a call at 480-686-3130 for technical assistance.

After reviewing these instructions, if you feel uncomfortable performing the installation, please contact your local dealer.

Tools Required:

1. Hex keys (1): 5/32"
2. Thread Lock (Loctite Blue) ***Provided in Assembly kit***

Unpack Contents:

Carefully unpack contents of boxes. Figure 1 represents what is in the box. Find a suitable area to lay the parts out and assemble (wood shop table or other soft work area). Now is a good time to inspect parts for damage from shipping.



Wake N Grill
134 E. Broadway Rd. #101
Mesa, AZ 85210

(480) 686-3130
wakengrill@gmail.com
wakengrill.com



Figure 1 Kit Contents

Universal Clamp Insert Assembly:

Step 1: Locate parts: Unwrap and inventory the following parts in preparation for assembly:

- (1) Clamp Insert (WNG-UNI-CLAMP-INSRT, QTY 2) NOTE: Insert halves are identical
- (2) 10-24 X 1/4" Socket Cap Screw (QTY 4)

Step 2: Install Universal Clamp Inserts into Universal clamps: Install universal clamp inserts into each universal clamp half as shown in Figure 2. Apply Loctite 243 threadlocker (included) to the threads of 4, 10-24 X 1/4" Socket Cap Screws. Install screws as shown in Figure 3 and tighten.



Figure 2



Wake N Grill
134 E. Broadway Rd. #101
Mesa, AZ 85210

(480) 686-3130
wakengrill@gmail.com
wakengrill.com

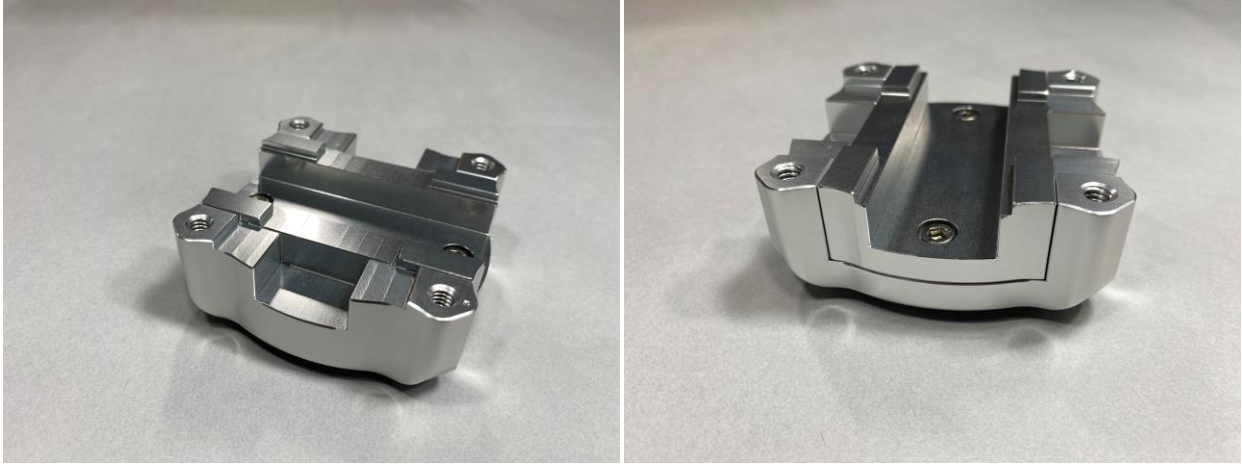


Figure 3

Step 3: Trial Fit Universal Clamp with Inserts: Trial fit the Universal clamp set, WNG-UNI-CLAMP with inserts, around the swim platform bracket.

NOTE: The universal clamp insert set is designed to fit a wide variety of swim platform brackets from different manufacturers. Ensure the closest fit window slot is selected, minor looseness is allowed to accommodate variations in OEM brackets. In rare cases, OEM's change sizes within a model year run, if fit is not satisfactory please contact us with details.

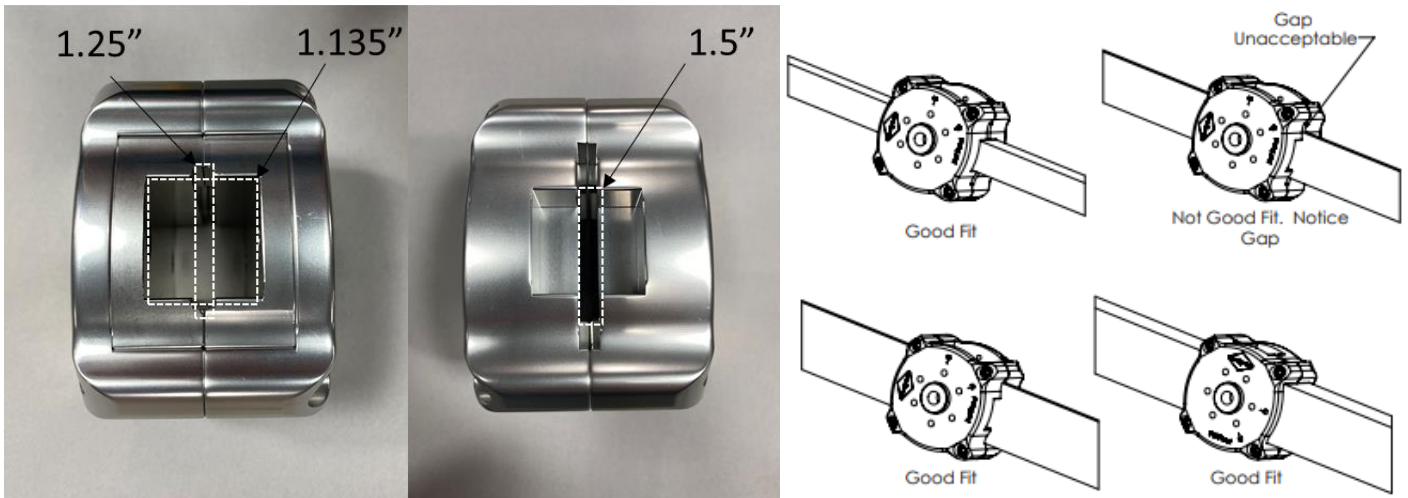


Figure 4

Step 4: Return to Universal Clamp Mount instructions found in the Installation kit



Wake N Grill
134 E. Broadway Rd. #101
Mesa, AZ 85210

(480) 686-3130
wakengrill@gmail.com
wakengrill.com

5 Year Limited Warranty

We offer a 5 Year Warranty on our products along with a 30 day money-back guarantee. If you are not satisfied with our products in any way, return the item and we will refund your money!

Warranty Information Dukes Marketing L.L.C. (Wake N Grill) warrants to the original purchaser that this product will be free from defects in material and workmanship under normal use for a period of five (5) years from date of original purchase from an authorized Wake N Grill dealer. See exclusions for specific items not covered or with limited warranty. Should repair be necessary under this warranty for any reason due to a manufacturing defect or malfunction during the warranty period, Wake N Grill will repair or replace (at its discretion) the defective product with equivalent product at no charge. Discontinued products may be replaced with equivalent products. Any applicable implied warranties are limited in duration to a period of the express warranty as provided herein beginning with the date of the original purchase at retail, and no warranties, whether express or implied, shall apply to this product thereafter. This warranty is limited to defects in material and workmanship, and it does not apply to loss or damage due to accident, misuse or negligence, or any cause occurring after delivery to the original purchaser.

Warranty Claims Defective merchandise must be returned to your local authorized Wake N Grill Dealer for warranty

Figure 5

issues. To locate an Authorized Dealer please email or call Wake N Grill direct. If the return of defective merchandise is necessary, call Wake N Grill at (480) 686-3130 to obtain a Return Authorization (RA) number. Package all defective items in the original container or in a suitable package that will prevent shipping damage, and return to:

Wake N Grill 134 E. Broadway Rd. #101 Mesa, AZ 85210

Warranty Exclusions:

The following items have a limited warranty:

1. Plastic components (1 year)
2. Anodized finish (1 year)

This warranty is valid only if the product is used for the purpose for which it was designed. Wake N Grill does not cover:

- Damage resulting from negligence, misuse, or accident
- Items physically damaged due to abuse
- Freight damage or mishandling
- Items previously repaired by any unauthorized repair facility
- Items returned by unauthorized individuals or dealers
- Return shipping of non-defective items
- The cost of shipping product to Wake N Grill
- Installation slips and marks as a result of installation
- Normal wear-and-tear from use, storage, and transportation
- Damage caused by exposure to water and/or excessive heat
- Items damaged from cross-threading fasteners or improper installation tools and techniques.
- Damage resulting from the product encountering objects such as bridges, other vehicles, animals, livestock, children, retaining walls, tow points, using as a step, etc.